

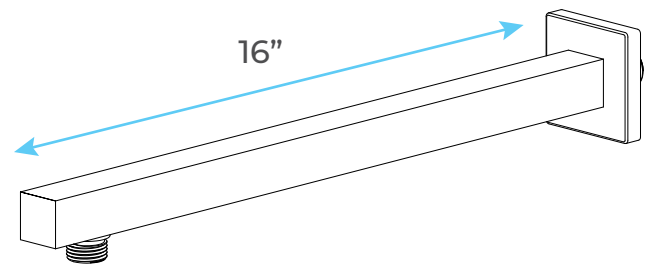
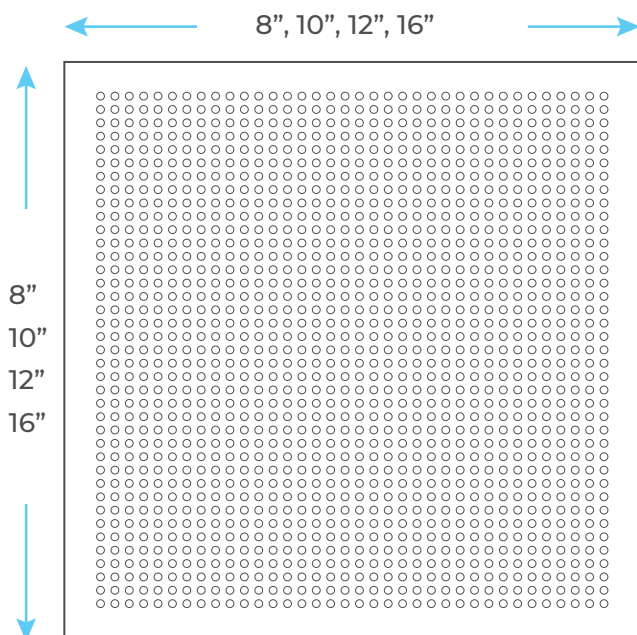
# NAPOLIS THERMOSTATIC HIGH PRESSURE BRUSHED NICKEL BATHROOM SHOWER SET SPECS



## Specifications

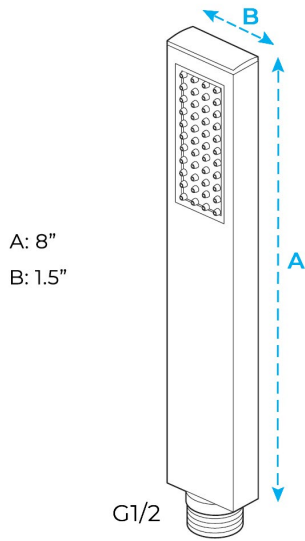
- Brass Valve water pressure balance control
- Standard plumbing connection-Shower panel unit is pre-plumbed
- All functions work independently to ensure the proper water pressure
- Ceramic Disc Technology
- ½" NPT Inlets and outlets compatible with standard US plumbing connections
- Pre-set maximum temperature 104°f
- The recommended pressure for best performance 2 to 75 psi
- The flow rate is 2.5 GPM

## Shower Head Size:

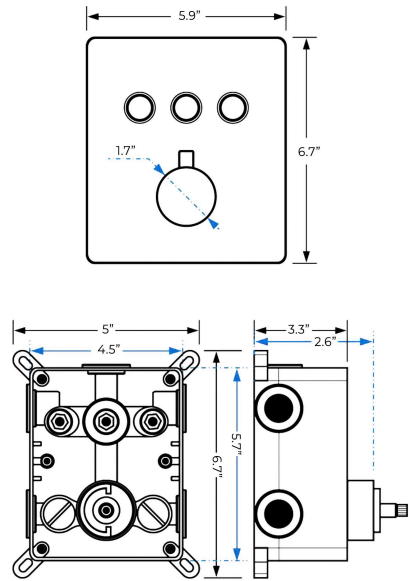


Flow Rate  
2.5 GPM / 9.5 LPM (rain Shower);

**Hand Shower Size :**



**Mixer Connection :**



The minimum required water pressure is 0.05 MPa (0.5 bar).  
Flow rate 2.5 GPM (9.5 LPM).

**Body Jet Size :**

